

Advanced Mobile Phone Signal Jammer for CDMA & 3G Networks with Prescheduled Time Duration

M.Subrahmanyeswara Rao^{#1}, N.Santhikumari^{#2}, N. Bhavya^{#3}, M. Harish Babu^{#4}

Assistant Professor, Department of ECE, Chalapathi Institute of Engineering and Technology, Lam, Guntur, AP, India

Department of ECE, Chalapathi Institute of Engineering and Technology, Lam, Guntur, AP, India

ABSTRACT: This Paper is designed and implemented for Mobile phone signal jammer for 3G networks with prescheduled time duration using Mobile jammer and ARM7. The jamming device broadcasts an RF signal in the frequency range reserved for cell phones that interferes with the cell phone signal, which results in a "no network available" display on the cell phone screen. All phones within the effective radius of the jammer are silenced. The activation and deactivation time schedules can be programmed in microcontroller

KEYWORDS: Mobile jammer, ARM7, LCD, RTC, KEIL ARM software.

I. INTRODUCTION

Mobile phone jamming devices are originally developed for law enforcement and military to interrupt communication by criminals and terrorists. Some were also designed to foil the use of certain remotely detonated explosives

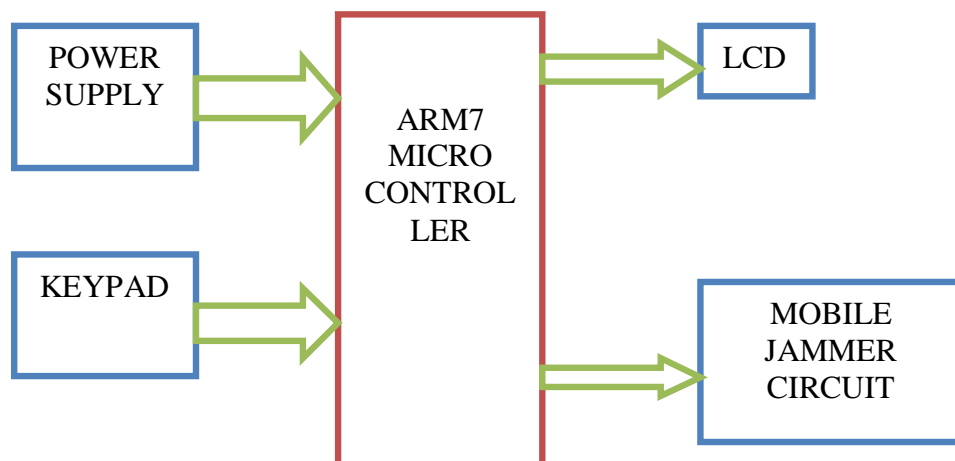


Fig 1 Block diagram showing the mobile phone jammer with pre-scheduled timer using ARM7

POWER SUPPLY: This section is meant for supplying Power to all the sections mentioned above. It basically consists of a Transformer to step down the 230V ac to 9V ac followed by diodes. Here diodes are used to rectify the ac to dc. After rectification the obtained rippled dc is filtered using a capacitor Filter. A positive voltage regulator is used to regulate the obtained dc voltage.

ARM7 Microcontroller: ARM stands for Advanced RISC Machines. It is a 32 bit processor core, used for high end application. It is widely used in Advanced Robotic Applications.



Figure 2- ARM7 Microcontroller.

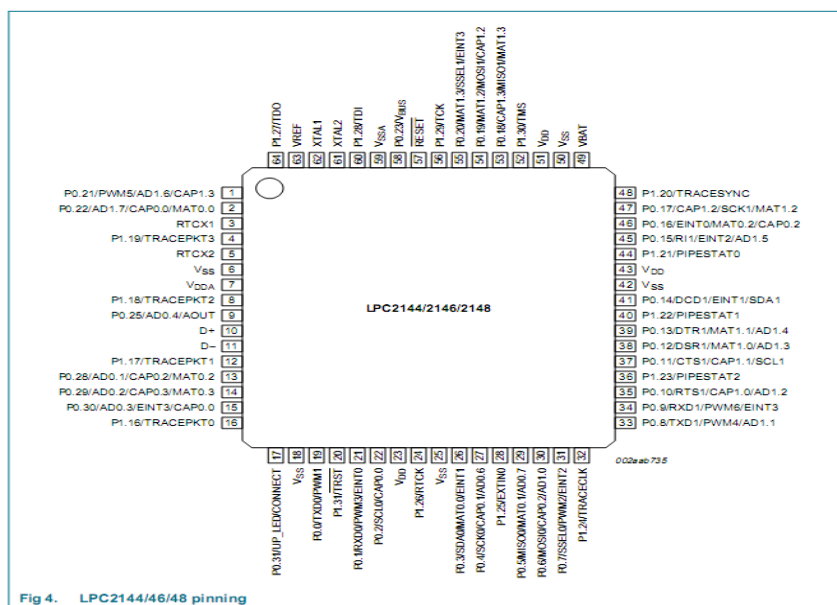


Figure 3- ARM Pin diagram

LCD Interfacing: Liquid crystal displays (LCDs) have materials, which combine the properties of both liquids and crystals.

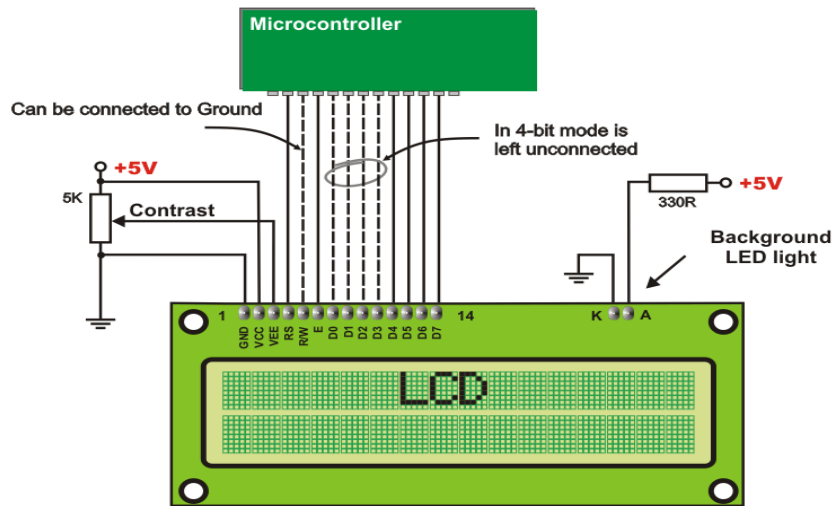


Figure 4- Interfacing of LCD to a microcontroller

To send any command to the LCD, make pin RS=0. For data, make RS=1. Then sends a high-to-low pulse to the E pin to enable the internal latch of the LCD.

Linear Keypad: In electronics, a switch is an electrical component that can break an electrical circuit, interrupting the current or diverting it from one conductor to another. The most familiar form of switch is a manually operated electromechanical device with one or more sets of electrical contacts. Each set of contacts can be in one of two states: either 'closed' meaning the contacts are touching and electricity can flow between them, or 'open', meaning the contacts are separated and non-conducting.

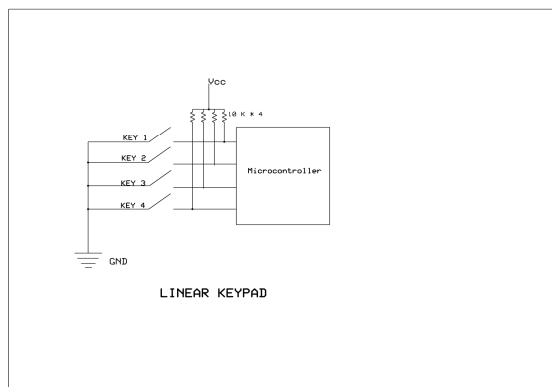


Figure 5



Figure 6- Mobile Jammer

Mobile jammer: The Room Cell Phone Jammer is an instrument to prevent cellular phone receiving and transmitting signals from the base station. Specially for personal usage anywhere. These can prevent secret information leakage through your mobile phone. It only shields the signals of mobile phone and does not effect the normal operation of other electronic devices. These also helps in the prevention of noise pollution generated by mobile phones.

Features:

- 1) LED power indicator immediate results when activated.
- 2) Automatic restoration of service.
- 3) Easy to carry anywhere.
- 4) Safe and harmless Ready to work in minutes.
- 5) Three Omni directional antennas are included.

Specifications:

Jamming Area : 2-5 Meters
 Cellular Systems: CDMA: 860-885MHz,
 GSM: 925-965MHz,
 DCS, PHS: 1800-1950MHz
 Output Power : 450 Mw
 Power Supply : DC 5V / 1500m A / H
 Dimension : 95x45x18 M
 Antenna : External Omni directional

Types of jammers:

Type	Emergency call	Efficiency	Regularity approval	Implementation
“A”	Blocked	Low	Not allowed	Very simple
“B”	Allowed	Medium	Required	Complex
“C”	Allowed	High	Required	Complex
“D”	Allowed	Medium	Required	Simple
“E”	Blocked	High	Allowed	Simple

Figure 7-Types of jammers

II. SOFTWARE DESCRIPTION

The user of KEIL centres on “projects”. A project is a list of all the source files required to build a single application, all the tool options which specify exactly how to build the application, and if required how the application should be simulated. A project contains enough information to take a set of source files and generate exactly the binary code required for the application. Because of the high degree of flexibility required from the tools, there are many options that can be set to configure the tools to operate in a specific manner. It would be tedious to have to set these options up every time the application is being built; therefore they are stored in a project file. Loading the project file into KEIL informs KEIL which source files are required, where they are, and how to configure the tools in the correct way. KEIL can then execute each tool with the correct options. It is also possible to create new projects in KEIL. Source files are added to the project and the tool options are set as required. The project can then be saved to preserve the settings. The project is reloaded and the simulator or debugger started, all the desired windows opened KEIL project files have the extension

About Keil ARM:

Click on the Keil u Vision3 Icon on Desktop
 Click on the Project menu from the title bar
 Then Click on New Project
 Save the Project by typing suitable project name with no extension in your own folder sited in either C:\ or D:\
 Then Click on Save button above.
 Select the component for u r project.
 Click on the + Symbol beside of NXP.
 Select LPC2148 as shown below.
 Then Click on “OK”.
 The Following figure.a will appear.

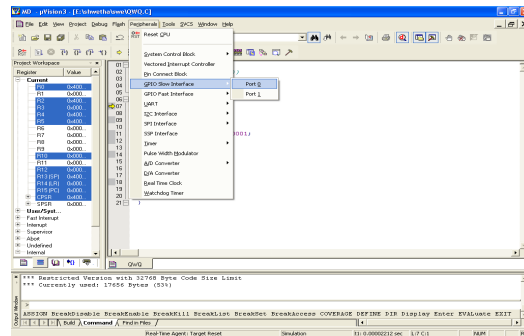


Figure 7c

Drag the port a side and click in the program file
Now keep Pressing function key “F11” slowly and observe. You are running your program successfully.

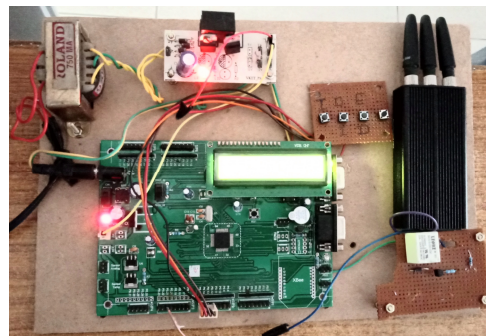


Figure 8-Activation of mobile jammer

III. CONCLUSION

The paper “Advanced Mobile Phone Signal Jammer For GSM, CDMA And 3G Networks With Prescheduled Time Duration” has been successfully designed and tested. Integrating features of all the hardware components used have developed it. Presence of every module has been reasoned out and placed carefully thus contributing to the best working of the unit. Secondly, using highly advanced IC’s and with the help of growing technology the project has been successfully implemented.

REFERENCES

- [1]. En.wikipedia.org/wiki/Mobile_phone_jammer.
- [2]. N. R krishniah, “Dual Band”, International Journal of Modern Engineering Research (IJMER) Vol. 3, Issue. 4, Jul-AUG. 2013.
- [3]. P. Raveendra Babu, International Journal of Science, Engineering and Technology Research (IJSETR) Volume 2, Issue 9, September 2013.
- [4]. Multitopic conference2008.INMIC 2008.IEEE.
- [5]. International "Zone of silence [cell phone jammer]," Spectrum, IEEE, vol.42, no.5, 18, May 2005
- [6]. Hongbo Liu* and Wenyan Xu, Localizing Jammers in Wireless Networks Vol. 1, Issue 6 May 2013.
- [7]. Ahmed Jisrawi, "GSM 900 Mobile Jammer", undergrad project, JUST, 2006.
- [8]. John Scourias Overview of the global system for Mobile communications, <http://cnga.uwaterloo.ca/~jscouria/GSM/gsmreport.html#1>
- [9]. www.HowStuffWork.com
- [10]. Mobile & Personal Communications Committee of the Radio Advisory Board of Canada. Use of Jammer and disabler. Devices for blocking PCS, Cellular & Related Services.